

- 1 control unit
- 2 pump for tractor
- 3 distributors for tractor
- 4 pressostat switch
- 5 picking head pump
- 6 greasing chain
- 7 distributors for picking head
- 8 distributors for destemmer

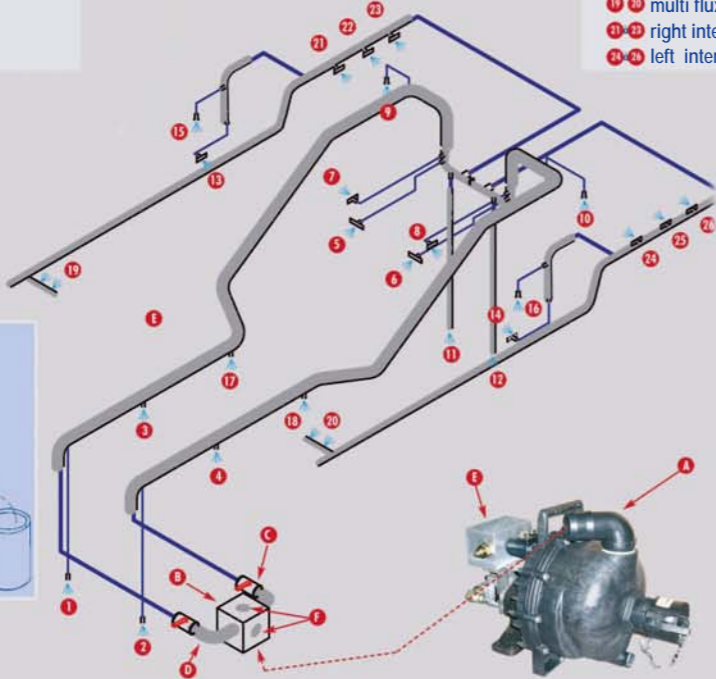


& Automatic Lubrication System

Washing system embedded

- 1 water pump with hydraulic drive
- 2 block distribution of water
- 3 left washing valve
- 4 right washing valve
- 5 hydraulic unit with proportional valves
- 6 output lances, upper and lower
- 7 prior norias
- 8 coverings and buckets
- 9 inside conveyor

- 10 conveyor
- 11 rear norias
- 12 connecting rods
- 13 lower fans
- 14 top fans
- 15 covering for shakers
- 16 multi flux ramp for destemmer
- 17 right internal outputs for destemmer
- 18 left internal outputs for destemmer



www.mecalor.fr
 8 rue Ariane
 33185 LE HAILLAN
 Tél. : (0)5 56 32 30 20
 Fax : (0)5 56 40 36 52
 mecalor@mecalor.fr



GREASING
 SYSTEM
 WASHING
 SYSTEM

NEW HOLLAND BRAUD LINE

Original Equipment
 Maintenances
 Parts and accessories
 Specific greases

Greasing system



Washing system

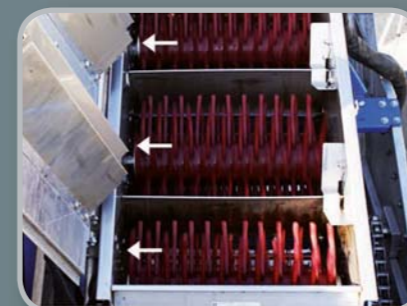
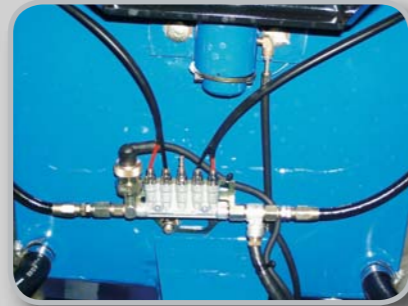
PRESENTATION

The installation includes two independent circuits:

- A circuit for extreme pressure lubrication (tractor)
 - alimentary lubrication circuit (picking head).
- Each circuit includes a pump, which by through a primary conduit feeds distributors that divide the volumetrically lubricant to the various greasing points through a secondary circuit

Automatic control of lubrication is provided by a control unit located in the cabin.

A pushbutton allows manual control at any time to launch a lubrication cycle of the machine.



PRESENTATION

A water high pressure pump driven by a hydraulic whose start and stop are progressive, is fixed on the machine.

This pump is self-priming and debits between 150 and 400 l / min, it is proportional to the speed of the machine. It is controlled from the cab. Two stainless steel pipes feed 26 water outlets (depending on the model of machine) through a secondary network

Eight water outlets conveniently placed generate a real shower for the most difficult places to access:

- fans (top and extractor). Up to 4 outputs.
 - Conveyors (inner part). Up to 6 outputs.
 - slides and glides. Up to 6 outputs.
 - destemmers. Up to 6 outputs and 2 ramps.
- Other water outlets allow washing system outer portions of the machine:
- Conveyors (outdoor)
 - Buckets
 - Tarps

Two water hoses variable rate, let finish the washing of the outside of the machine, from the ground. They can be used simultaneously with tubing.

The distribution block located at the pump outlet can separate washing the left and the right side of the machine, to concentrate the water flow on the tube left or right, or both for finishing. Concentrating the water flow on a portion of the machine saves water, using the lances, and have a more efficient washing.

SYSTEM BENEFITS

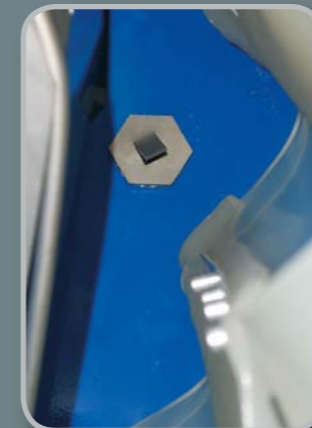
- automatic and regular Lubrication while the equipment is working.
- Appropriate lubrication on each greasing points
- No excess lubricant.
- No lubrication point forgotten.
- Longer life of bearings and chains.
- No pollution of the harvest.
- No more daily greasing time

SYSTEM BENEFITS

- Several washing sequences
- optimizing the washing of the machine by limiting activities of the user.
- More speed on soiled areas of the machine.
- Reduced water consumption.
- Use of the lances during the wash cycle.
- Autonomous system for washing on site.
- Disinfection safe and more homogeneous.

FEATURES

- 2 electric pumps 12V, tank: 2.7 kg for the grease
- Peak pressure in the primary circuit: 35 bar.
- Grease grade 00 approved Vogel-grape harvester
- Automatic lubrication cycles: 30 mins
- Volumetric dispensing of each point



FEATURES

Washing circuit

- Flexible armed D50
- Aspiration, L = up to 8M
- Discharge, L = 2.5 M
- upper Lance, D25, L = 3M
- external Lance D25, L = 10M
- 2 stainless steel internal circuits, D35
- Up to 26 water outlets

centrifugal pump

- Self-priming to start and phasing
- Quick coupling D50
- Flow 150 to 400 l / min
- Hydraulic drive with proportional valves control in the cabin